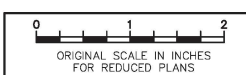
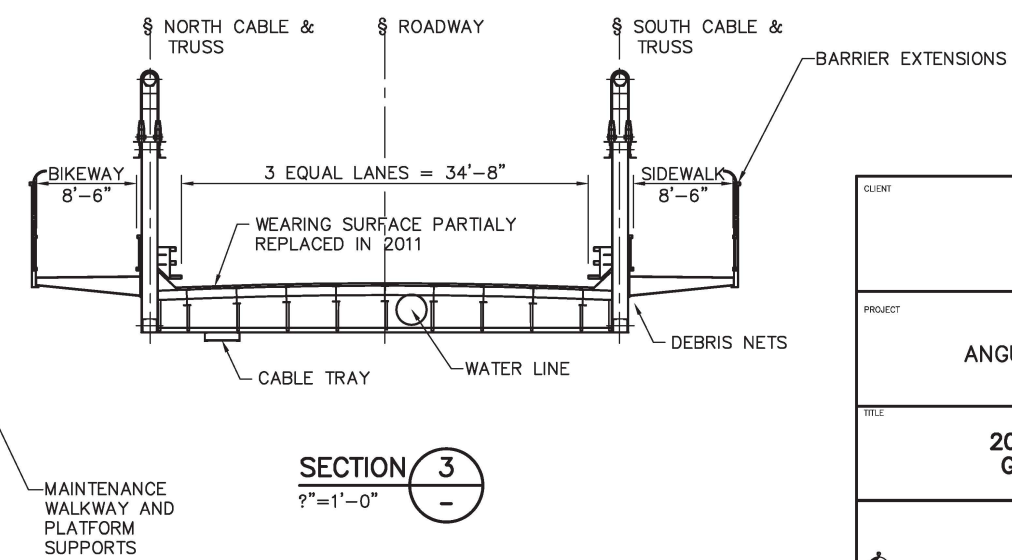
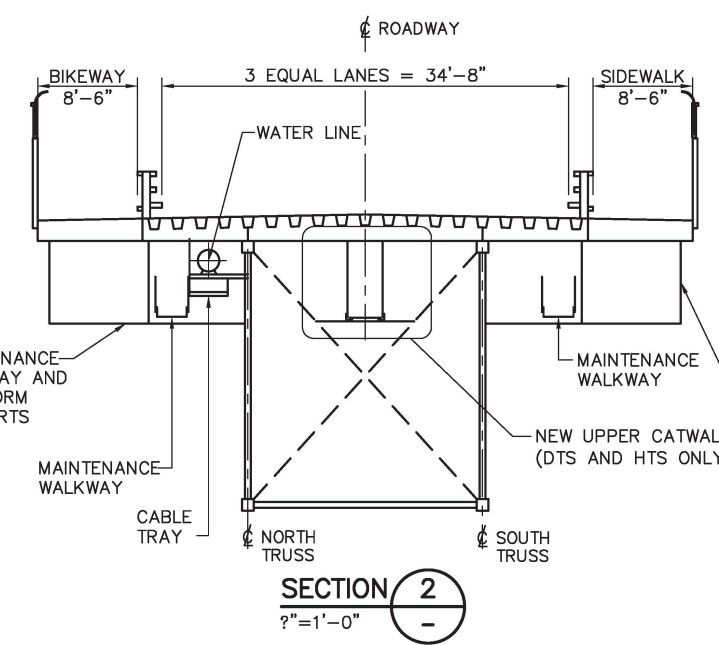
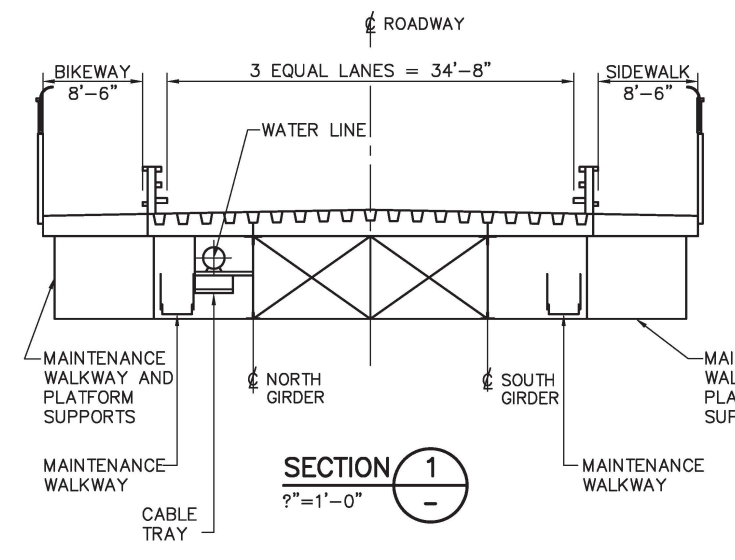
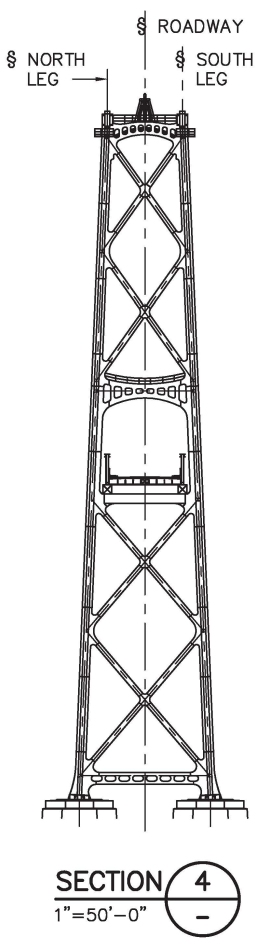
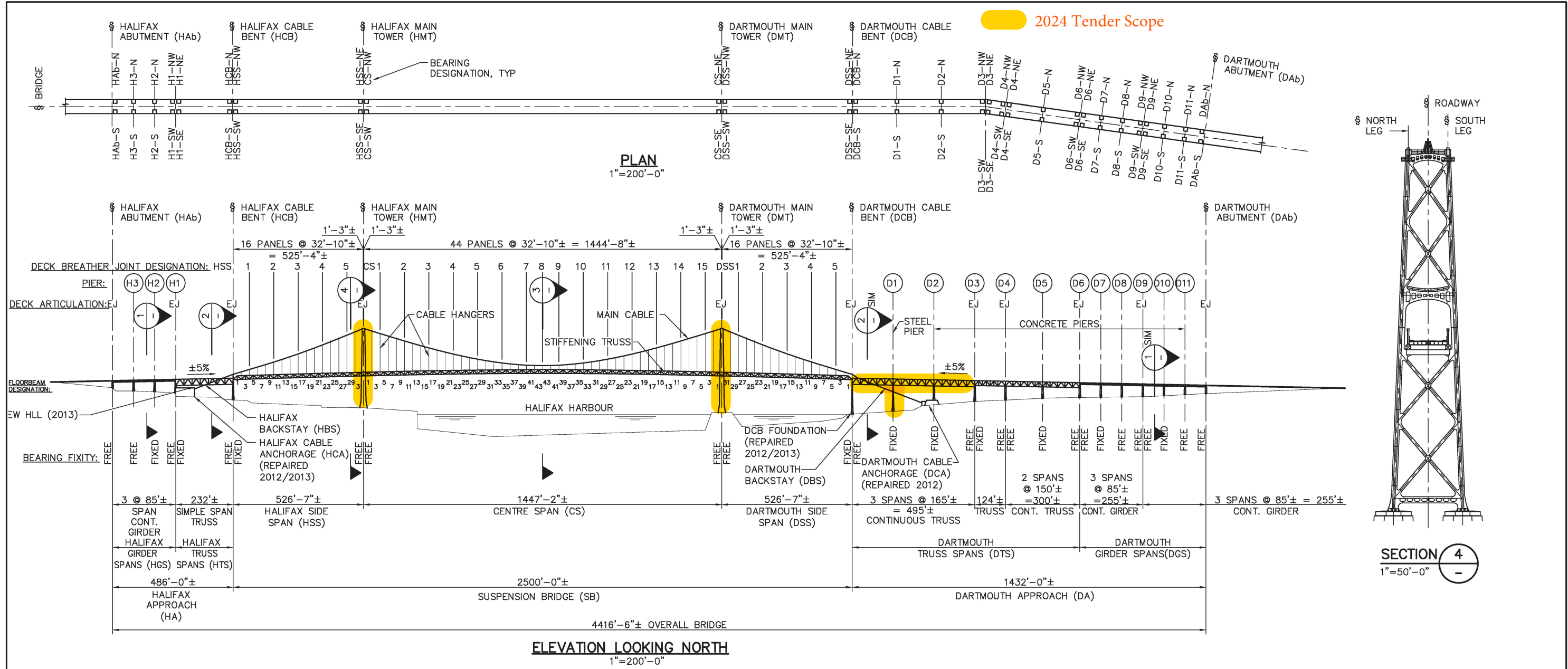


2024 Tender Scope



A	ISSUED FOR ANNUAL REPORT	KMD	PJB	AUG 23/13
LTR	REVISION	DR.	APP.	DATE

<p>Halifax Harbour Bridges</p>	
<p>PROJECT: ANGUS L. MACDONALD BRIDGE</p>	
<p>TITLE: 2013 ANNUAL INSPECTION GENERAL ARRANGEMENT</p>	
<p>DRAWN: KMD</p> <p>CHECKED: PJB</p> <p>SCALE: AS SHOWN</p> <p>DATE: 13 SEP 12</p> <p>DRAWING No. 13028-13-02</p>	<p>DESIGNED: PJB</p> <p>CHECKED: GLMD</p> <p>APPROVED: PJB</p> <p>REVIEWED: GLMD</p> <p>REV. A</p>